



# PRO

Specifications

LED freestanding luminaire  
02OL Series





## Introduction

This 02OL freestanding lamp is composed of three parts: flat lamp body, lamp pole and lamp base. With a precise optical design (UGR<16, up 70% & down 30% lighting), it can ensure a more uniform and more comfortable lighting effect. Lamp Pole with: Plug, touchable 0-10V dimmer, light sensor and PIR sensor module. The configuration of the luminaire is triggered by pressing a button and then it's fully automatic, the lighting control modules are interchangeable, which is very suitable for modern office environments.

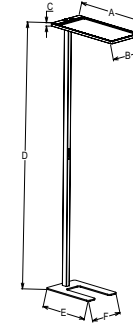
## Features

- Easy for assembly and maintenance.
- Precise optical design: UGR<16, up 70% & down 30% lighting.
- Lighting sensor and PIR sensor mode interchangeable.
- Plug and play, convenient for different position.
- Touchable 0-10V dimming way.

## Application Areas

It is specially designed for general lighting applications in office, meeting room, hotel etc.





## Technical Data Sheet

Code No.		SPA02OL-75W	
Dimension(mm)		1925*720*340mm	
Cutout (mm)		-	
Watt(W)		75W	
Rated Input Voltage(V)		AC230V	
Input Voltage(V)		AC220-240V	
LED Module Input		-	
Light Source		SMD2835	
SDCM		<6	
CCT(K)		1-CCT: 3000K/4000K	
CCT Selection DIP Switch		NO	
Luminous Flux (lm) ±5%	Non-DIM	1-CCT	-
	DIM		6000-6800LM
	Non-DIM	3-CCT	-
	DIM		-
CRI		≥80	
Beam Angle (°)		120°	
UGR		UGR<16	
LED Driver		Driver built-in	
Dimming Option		0-10V	
Sensor		PIR sensor / Light sensor	
Emergency Kits		-	
Electrical Class		Class I	
Ingress Protection (IP Rating)		IP20	
Impact Resistance (IK Rating)		-	
Product Finishing(Base)		White RAL9016	
Materials of Optics		PMMA	
Materials of Housing		Aluminum	
Lifetime (hr)		50,000h	
Glow wire test ( °C )		-	
Operating Temp. ( °C )		-10 °C ~30 °C	
Storage Temp. ( °C )		-20 °C ~60 °C	
Installation		Pedestal mounted	

## Measurement

Code	Dimension(mm)			Size(mm)	Product Weight (Kg)		Package weight (Kg)		Carton Size(cm)	Qty/CTN	20GP (pcs)	40HQ (pcs)
	A	B	C		N.W/PC	G.W/PC	N.W/CTN	G.W/CTN				
SPA-02OL-75W	720	340	21.5	720*340*21.5	2.7	3.2	19.2	20.4	79*38*40.5	6	1260	3240
	D			1900*50*35	3.1	3.4	20.4	21.4	228*17.5*14.5	6	3174	7314
	1900											
	E	F		500*340*8	6.7	7.1	21.3	22	58*41.5*15	3	2433	5589
500	340											

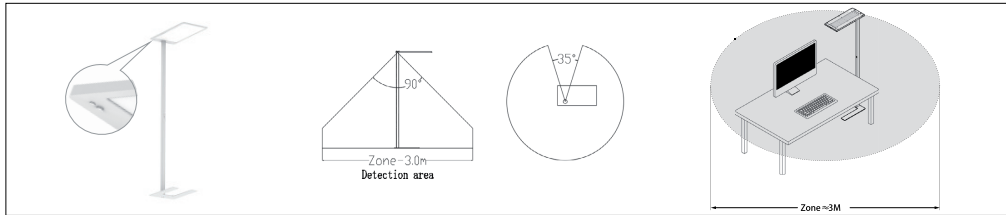
## Driver Datasheet (0-10V)

Total load wattage		75W	
Output	Output Voltage range	DC25-40V	
	Rated output current	1900mA±5%	
	Line Regulation	±5%	
	Setup, Rise Time	≤0.55@230V	
	Flickering Index	NO RISK	
Input	Input Voltage	AC198-264V	
	Rated Input Voltage(V)	AC220-240V	
	Frequency	47Hz-63Hz	
	Input Current	0.55A	
	Rated Input Current	0.38A	
	Power Factor	0.93	
	THD	<20% @230V	
	Efficiency	≥88%	
	No load wattage	<0.5W	
Protection	Short circuit protection	Pass	
	Over voltage protection	Pass	
	Over temperature protection	Pass	
Safety & EMC	Withstand voltage	I/P-O/P:3.75KVAC5mA 60S; I/P-FG1.6kV 5mA 60S	
	Isolation Resistance	I/P-FG O/P-FG: 500VDC,>100M Ω	
	Surge	IEC/EN61000-4-5 (P≥25w L-N:1KV, L/N-PG:2KV)	
	EMC Emission	EN55015,EN61000-3-2,EN61000-3-3 GB/T17743,GB17625.1,GB17625.2	
	EMC Immunity	EN61000-4-2,3,4,5,6,11 GB/T17626.2,3,4,5,6,11	

# Driver Datasheet (Sensor)

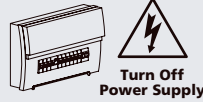
## Sensor datasheet

Operating Voltage	3.3VDC
Power consumption	0.5W±0.2W
Microwave frequency	-
Transmission power	-
Detection angle	90°
Detection Area	1.5M
Hold time	15min
Daylight sensor	500lux
Stand-by DIM Level	-
Stand-by Period	-
Dimming Range	10%-100%
Microwave ON/OFF function	Yes
Installation Height	-
Operating temperature(°C)	-20°C ~ -60°C

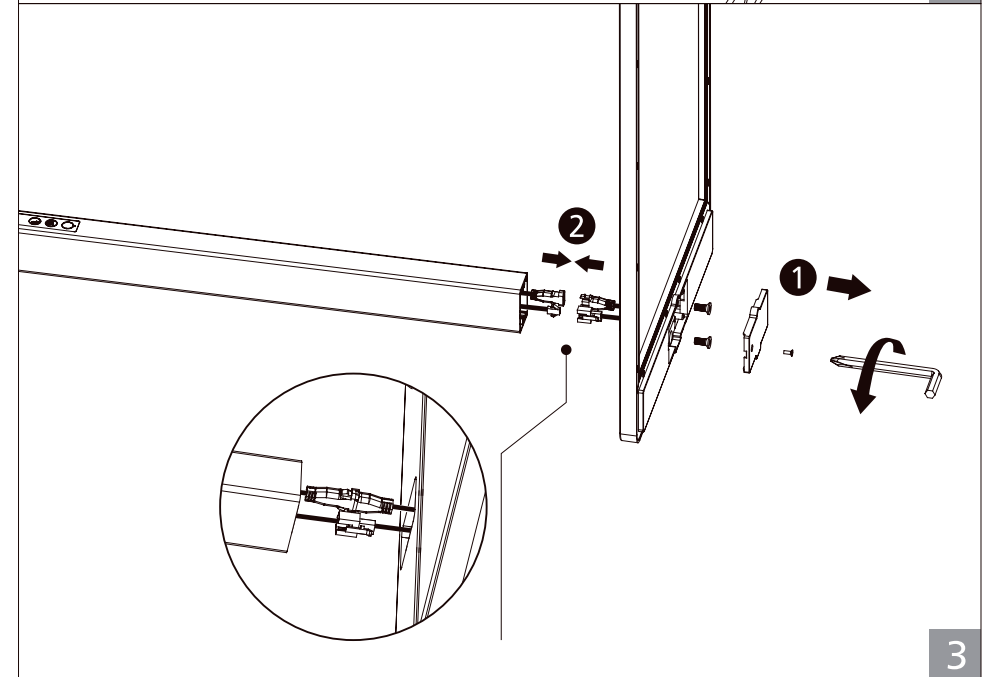
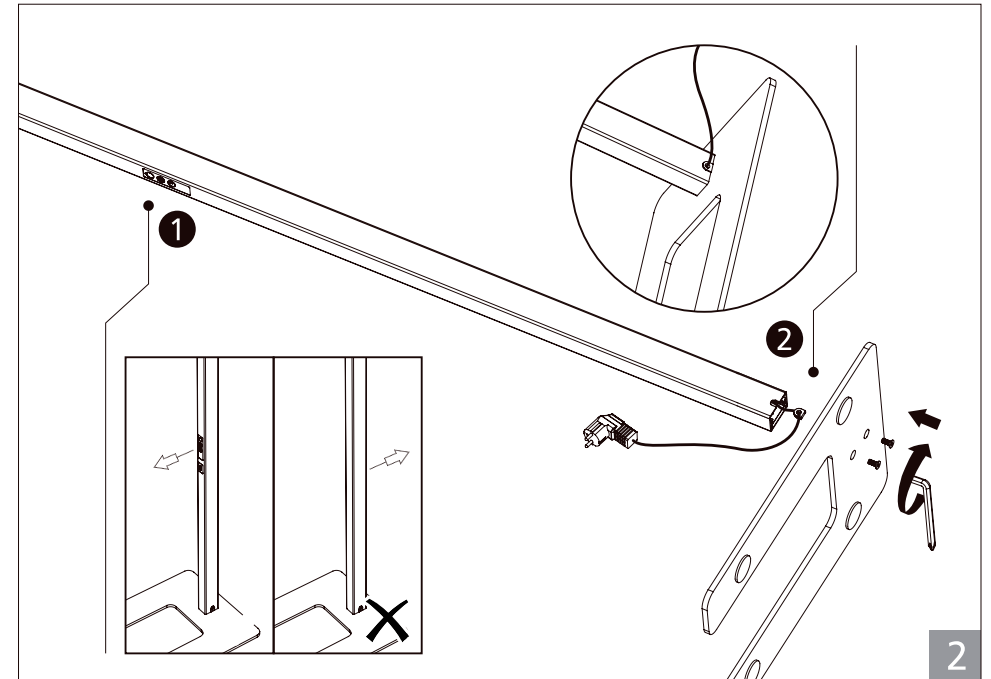
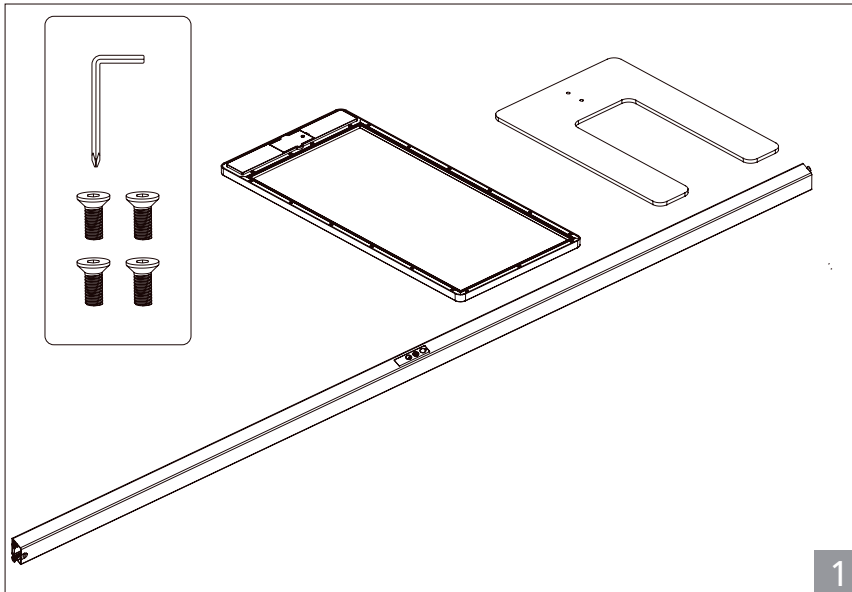


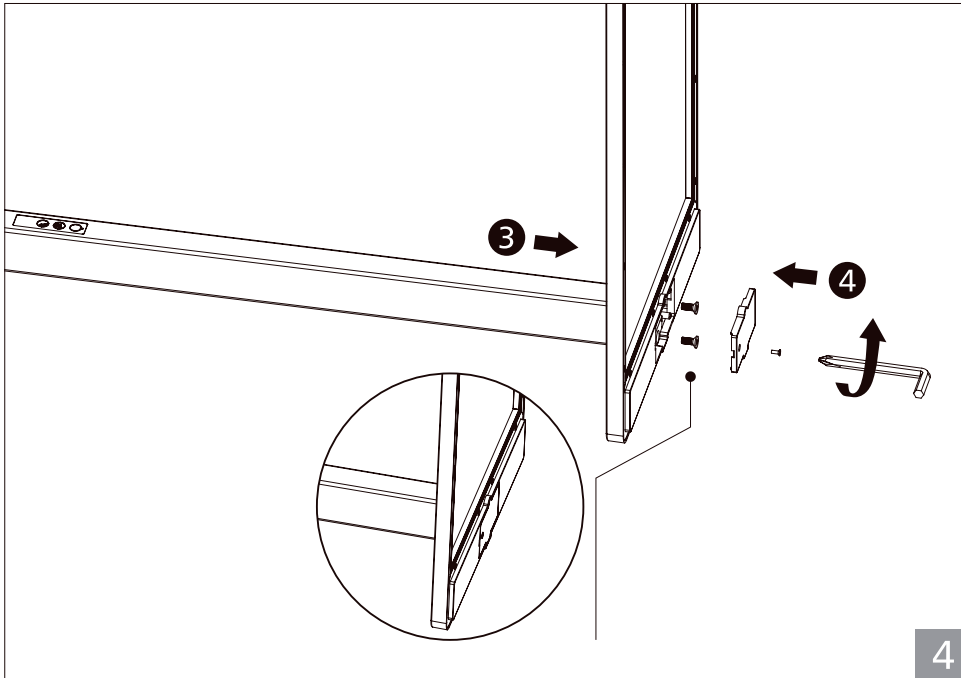
### WARNING

1. Switch off before installation/ maintenance
2. Switch on only after complete installation and examination of the circuit.
3. Professional electrician for installation and maintenance only.



### How to install





### Button Function Instruction

**STATUS**

					ON
					OFF

**Light Sensor**

**PIR Sensor**

**Turn ON/OFF**

3s Factory setting: Dimming 50%Light, sensor and PIR sensor in ON status.

1s Turn ON/OFF

**DIM**

0% 100%

**Sensor**

	>	x1	>				
	>	x2	>				
	>	x3	>				